

Click here to request a full data sheet

**Features:**

- CMOS Technology
- +/-15 Volt Output Driver Supply Voltage
- Drives Segment or Active Matrix Displays
- 4 Level Gray Scale
- 25MHz Clock Frequency
- Bi-Directional Data Transfer
- Selectable Register Length
- 2.7V to 5.5V Logic Supply Voltage
- Cascadable

**General Description**

The MXEI1480 is a selectable 400, or 480 bit long 2-bit wide serial-input parallel-output digital shift register with level conversion on each parallel output which converts the 2 digital bits into VPOS, VSS, or VNEG analog output voltages. An 8-bit input bus simultaneously inputs 4 groups of 2 bits each.

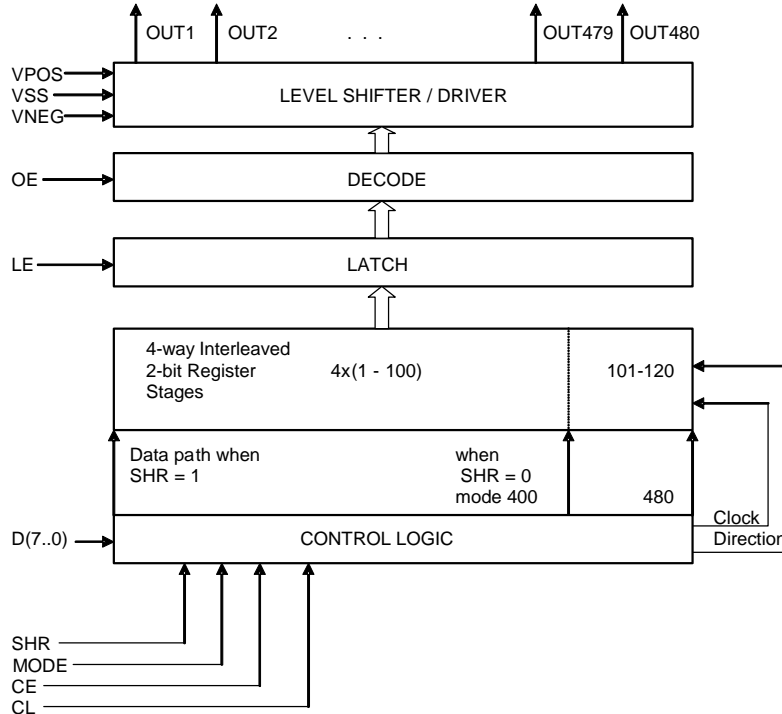
The MXEI1480 consists of a selectable length Bi-Directional Input Register, Transfer Latch, and 480 bit Level Shifter / Output Driver. Each "OUT" pin is switched to one of [VSS, VPOS, VNEG] according to the D0...D7 logic levels clocked into the MXEI1480, modified by the OE pin.

The MXEI1480 is designed to operate over a temperature range of -40°C to +85°C, and is available as Gold Bumped Die in Waffle Pack, and Gold Bumped in Wafer Form.

**Ordering Information**

Part No.	Description
EI148001-00	Gold Bumped Die / Waffle Pack
EI148002-00	Gold Bumped Die / Wafer Form

**Block Diagram**



**Micronix**  
**An IXYS Company**

145 Columbia  
Aliso Viejo, CA 92656-1490  
Tel: 949-831-4622  
Fax: 949-831-4671

**IXYS Corporation**

3540 Bassett Street  
Santa Clara, CA 95054  
Tel: 408-982-0700  
Fax: 408-496-0670  
sales@ixys.net

**SALES OFFICES AMERICAS**

**Eastern Region**

[Eastern North America, Mexico, South America]  
IXYS Corporation  
Beverly, MA  
Tel: 508-528-6883  
Fax: 508-528-4562  
wgh@ixys.net

**Central Region**

[Central North America]  
IXYS Corporation  
Greensburg, PA  
Tel: 724-836-8530  
Fax: 724-836-8540  
neil.lejune@westcode.com

**Western Region**

[Western North America]  
IXYS Corporation  
Solana Beach, CA  
Tel: 858-792-1101  
slodor@ix.netcom.com

**SALES OFFICES EUROPE**

**European Headquarters**

IXYS Semiconductor GMBH  
Edisonstrasse 15  
D- 68623 Lampertheim  
Germany  
Tel : 49-6206-503203  
Fax: 49-6206-503286  
marcom@ixys.de

**United Kingdom**

IXYS Semiconductor Limited  
Langley Park Way  
Langley Park  
Chippenham  
Wiltshire SN 15 1GE - England  
Tel: 44 1249 444524  
Fax: 44 1249 659448  
sales@ixys.co.uk

**ASIA / PACIFIC**

**Asian Headquarters**

IXYS  
Room 1016, Chia-Hsin, Bldg II,  
10F, No. 96, Sec. 2  
Chung Shan North Road  
Taipei, Taiwan R.O.C.  
Tel: 886-2-2523-6368  
Fax: 886-2-2523-6368  
bradley.green@ixys.co.uk  
jhong@clare.com

Check the IXYS Website for the local sales office nearest you. ([www.ixys.com](http://www.ixys.com))

<http://www.claremicronix.com>

---

Micronix cannot assume responsibility for use of any circuitry other than circuitry entirely embodied in this Micronix product. No circuit patent licenses nor indemnity are expressed or implied. Micronix reserves the right to change the specification and circuitry, without notice at any time. The products described in this document are not intended for use in medical implantation or other direct life support applications where malfunction may result in direct physical harm, injury or death to a person.

---

Specification: MXE11480  
©Copyright 2005, Micronix, Inc.  
All rights reserved. Printed in USA.