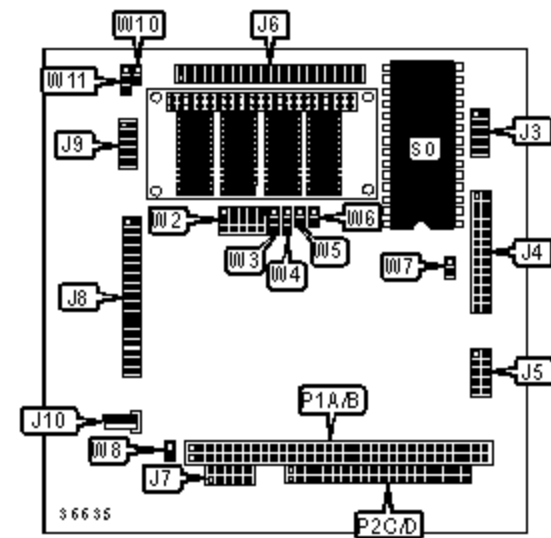


AMPRO COMPUTERS, INC.

COREMODULE/4DXE

Device Type	Mainboard
Processor	80486DX
Processor Speed	66/133MHz
Chip Set	Unidentified
Maximum Onboard Memory	52MB
BIOS	Award
Dimensions	90.2mm x 95.9mm
I/O Options (backplane)	Floppy drive interface, IDE interface, parallel port, serial ports (2), PC/104 connectors (2)



CONNECTIONS

Purpose	Location	Purpose	Location
Serial port 1	J3	Floppy drive interface	J8
Parallel port	J4	Serial port 2, RS-232C	J9
Utility/keyboard connector	J5	Serial port 2, RS-485	J10
IDE interface	J6	PC/104 connector	P1A/B
Power connector	J7	PC/104 connector	P2C/D

Note: Serial port 2 is selected by W11.

USER CONFIGURABLE SETTINGS

Function	Label	Position
» Access of a system BIOS from S0 enabled	W6	Closed

	Access of a system BIOS from S0 disabled	W6	Open
»	BIOS/OEM flash programming power enabled	W7	Open
	BIOS/OEM flash programming power disabled	W7	Closed
»	Factory configured - do no alter	W8	Closed
»	Terminator resistor disconnected	W10	Open
	Terminator resistor connected	W10	Closed
»	Select serial interface RS-232C	W11	Pins 1 & 2 closed
	Select serial interface RS-485	W11	Pins 2 & 3 closed

TIMER WATCHDOG SELECTION

Function		W3
	Hardware reset	Pins 1 & 2 closed
	-IOCHCK (I/O Channel check)	Pins 2 & 3 closed
	No interrupt	Open
	Inactive	Open

EPROM CONFIGURATION SELECTION (S0)

EPROM	W2	W4	W5
8K EPROM, 16K EPROM, 8K EEPROM	Pins 3 & 8, 5 & 10 closed	Pins 1 & 2 closed	Open
32K EPROM	Pins 3 & 4, 5 & 10 closed	Pins 1 & 2 closed	Open
64K EPROM	Pins 3 & 4, 5 & 10, 9 & 14 closed	Pins 1 & 2 closed	Open
128K EPROM	Pins 3 & 4, 9 & 14 closed	Pins 1 & 2 closed	Open
256K EPROM	Pins 3 & 4, 9 & 14, 10 & 15 closed	Pins 1 & 2 closed	Open
512K EPROM	Pins 3 & 4, 9 & 14, 10 & 15, 12 & 13 closed	Pins 1 & 2 closed	Open

1M EPROM

Pins 2 & 7, 3 & 4, 9 & 14, 10 & 15, 12 & 13 closed

Pins 1 & 2
closed

Open

FLASH EPROM CONFIGURATION SELECTION

EPROM	W2	W4	W5
32K 5V Flash EPROM	Pins 3 & 4, 8 & 9, 5 & 10 closed	Pins 1 & 2 closed	Open
32K 5V Flash EPROM	Pins 3 & 8, 4 & 9, 5 & 10 closed	Pins 1 & 2 closed	Open
32K, 128K, 256K, 512K 5V Flash EPROM	Pins 3 & 4, 7 & 12, 8 & 13, 9 & 14, 10 & 15 closed	Pins 1 & 2 closed	Open
32K, 128K, 256K, 512K 12V Flash EPROM	Pins 3 & 4, 6 & 7, 8 & 13, 9 & 14, 10 & 15 closed	Pins 1 & 2 closed	Open

SRAM CONFIGURATION SELECTION

SRAM	W2	W4	W5
» 32K, 128K SRAM; 32K NOVRAM	Pins 3 & 8, 4 & 9, 5 & 10, 13 & 14 closed	Pins 1 & 2 closed	Open
512K SRAM; 512K NOVRAM	Pins 3 & 8, 4 & 9, 7 & 12, 10 & 15, 13 & 14 closed	Pins 1 & 2 closed	Open

SRAM BATTERY BACKUP

SRAM	W2	W4	W5
» 32K SRAM; 32K NOVRAM	Pins 3 & 8, 4 & 9, 5 & 10, 13 & 14 closed	Pins 1 & 2 closed	Open
128K, 512K SRAM; 128K, 512K NOVRAM	Pins 7 & 12, 3 & 8, 4 & 9, 10 & 15, 13 & 14 closed	Pins 1 & 2 closed	Open