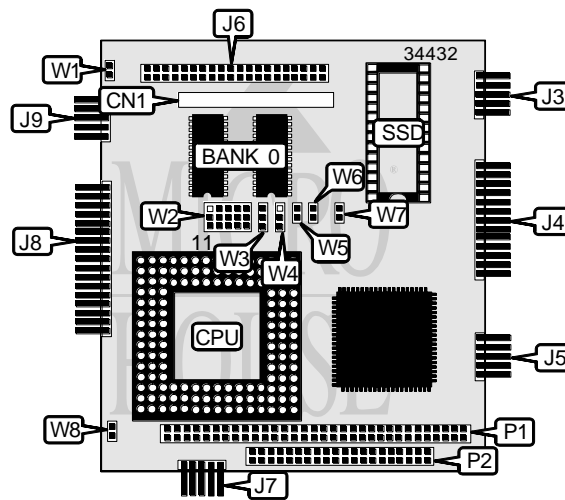


# AMPRO COMPUTERS, INC. COREMODULE/486DXI

<b>Processor</b>	80486DX4
<b>Processor Speed</b>	100(internal)MHz
<b>Chip Set</b>	ACC
<b>Video Chip Set</b>	None
<b>Maximum Onboard Memory</b>	52MB
<b>Maximum Video Memory</b>	None
<b>Cache</b>	None
<b>BIOS</b>	Unidentified
<b>Dimensions</b>	96mm x 90mm
<b>I/O Options</b>	Floppy drive interface, IDE interface, parallel port, serial ports (2), utility connector, PC/104 connectors (2)
<b>NPU Options</b>	None



CONNECTIONS			
Purpose	Location	Purpose	Location
Memory upgrade connector	CN1	Power connector	J7
Serial port 1	J3	Floppy drive interface	J8
Parallel port	J4	Serial port 2	J9
Utility connector	J5	PC/104 connector	P1
IDE interface	J6	PC/104 connector	P2

*Continued on next page. . .*

AMPRO COMPUTERS, INC.  
COREMODULE/486DXI

... continued from previous page

USER CONFIGURABLE SETTINGS		
Function	Label	Position
í Factory configured - do not alter	W1	Unidentified
í Factory configured - do not alter	W3	Unidentified
í Factory configured - do not alter	W6	Unidentified
í Factory configured - do not alter	W7	Unidentified
í Factory configured - do not alter	W8	Unidentified

DRAM CONFIGURATION		
Size	Bank 0	CN1
4MB	4MB	Not installed
52MB	4MB	48MB module installed
Note: Bank 0 is factory installed and is not configurable.		

SOCKET S0 SELECTION			
Type	W2	W4	W5
27C64	3 & 4, 6 & 7, 8 & 13, 9 & 14	1 & 2	Open
27C128	3 & 4, 6 & 7, 8 & 13, 9 & 14	1 & 2	Open
28C64	3 & 4, 6 & 7, 8 & 13, 9 & 14	1 & 2	Open
27C256	3 & 4, 5 & 10	1 & 2	Open
27C512	3 & 4, 5 & 10, 9 & 14	1 & 2	Open
27C010	3 & 4, 6 & 7, 8 & 13, 9 & 14	1 & 2	Open
27C020	3 & 4, 6 & 7, 8 & 13, 9 & 14, 10 & 15	1 & 2	Open
27C040	3 & 4, 9 & 14, 10 & 15, 12 & 13	1 & 2	Open
27C080	2 & 7, 3 & 4, 9 & 14, 10 & 15, 12 & 13	1 & 2	Open
Note: Pins designated should be in the closed position.			