

**LB1838M**

Low-saturation, Bidirectional Motor Driver for Low-voltage Applications

Overview

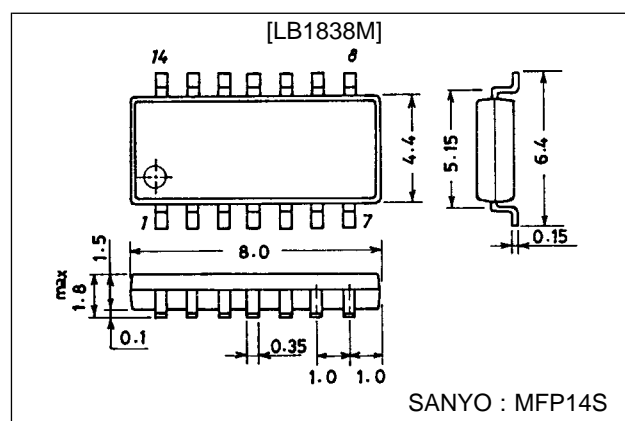
The LB1838M is a low-saturation two-channel bidirectional motor driver IC for use in low-voltage applications. The LB1838M is a bipolar stepper-motor driver IC that is ideal for use in printers, FDDs, cameras and other portable devices.

Features

- Low voltage operation (2.5 V min)
- Low saturation voltage (upper transistor + lower transistor residual voltage; 0.40 V at 400 mA).
- Through-current prevention circuit built in
- Separate logic power supply and motor power supply
- Spark killer diodes built in
- Thermal shutdown circuit built in
- Compact package (14-pin MFP)

Package Dimensions

unit : mm

3111-MFP14S

Specifications

Absolute Maximum Ratings at $T_a = 25^\circ\text{C}$

Parameter	Symbol	Conditions	Ratings	Unit
Maximum supply voltage	V_{CC} max		-0.3 to +10.5	V
	V_S max		-0.3 to +10.5	V
Output applied voltage	V_{OUT}		$V_S + V_{SF}$	V
Input applied voltage	V_{IN}		-0.3 to +10	V
Ground pin flow-out current	IGND	Per channel	1.0	A
Allowable power dissipation	P_d max1	Independent IC	550	mW
	P_d max2	* With board	800	mW
Operating temperature	T_{opr}		-20 to +75	$^\circ\text{C}$
Storage temperature	T_{stg}		-40 to +125	$^\circ\text{C}$

*Note: Mounted on $20 \times 30 \times 1.5 \text{ mm}^3$ glass epoxy PCB

Allowable Operating Ranges at $T_a = 25^\circ\text{C}$

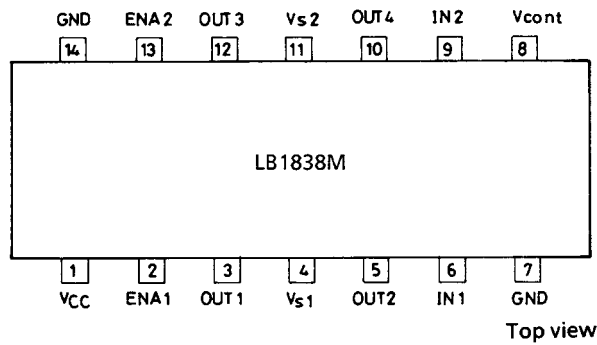
Parameter	Symbol	Conditions	Ratings	Unit
Supply voltage	V_{CC}		2.5 to 9.0	V
	V_S		1.8 to 9.0	V
Input high-level voltage	V_{IH}		1.8 to 9.0	V
Input low-level voltage	V_{IL}		-0.3 to +0.7	V

LB1838M

Electrical Characteristics at $T_a = 25^\circ\text{C}$, $V_{CC} = 3\text{ V}$

Parameter	Symbol	Conditions	min	typ	max	Unit
Supply current 1	I_{CC0}	ENA1, 2 = 0 V, $V_{IN1} = 3\text{ V}$ or 0 V		0.1	10	μA
Supply current 2	I_{CC1}	ENA1 = 3 V, $V_{IN1} = 3\text{ V}$ or 0 V		12	18	mA
Output saturation voltage	V_{OUT1}	ENA = 3 V, $V_{IN} = 3\text{ V}$ or 0 V, $I_{OUT} = 200\text{ mA}$		0.2	0.28	V
	V_{OUT2}	ENA = 3 V, $V_{IN} = 3\text{ V}$ or 0 V, $I_{OUT} = 400\text{ mA}$		0.4	0.6	V
Input current 1	I_{IN}	$V_{CC} = 6\text{ V}$, $V_{IN} = 6\text{ V}$			200	μA
Input current 2	I_{ENA}	$V_{CC} = 6\text{ V}$, ENA = 6 V			200	μA
Output sustaining voltage	V_O (sus)	$I_{OUT} = 400\text{ mA}$	9			V
Spark killer diode reverse current	I_S (leak)	V_{CC1} , $V_S = 7\text{ V}$			30	μA
Spark killer diode forward voltage	V_{SF}	$I_{OUT} = 400\text{ mA}$			1.7	V

Pin Assignment

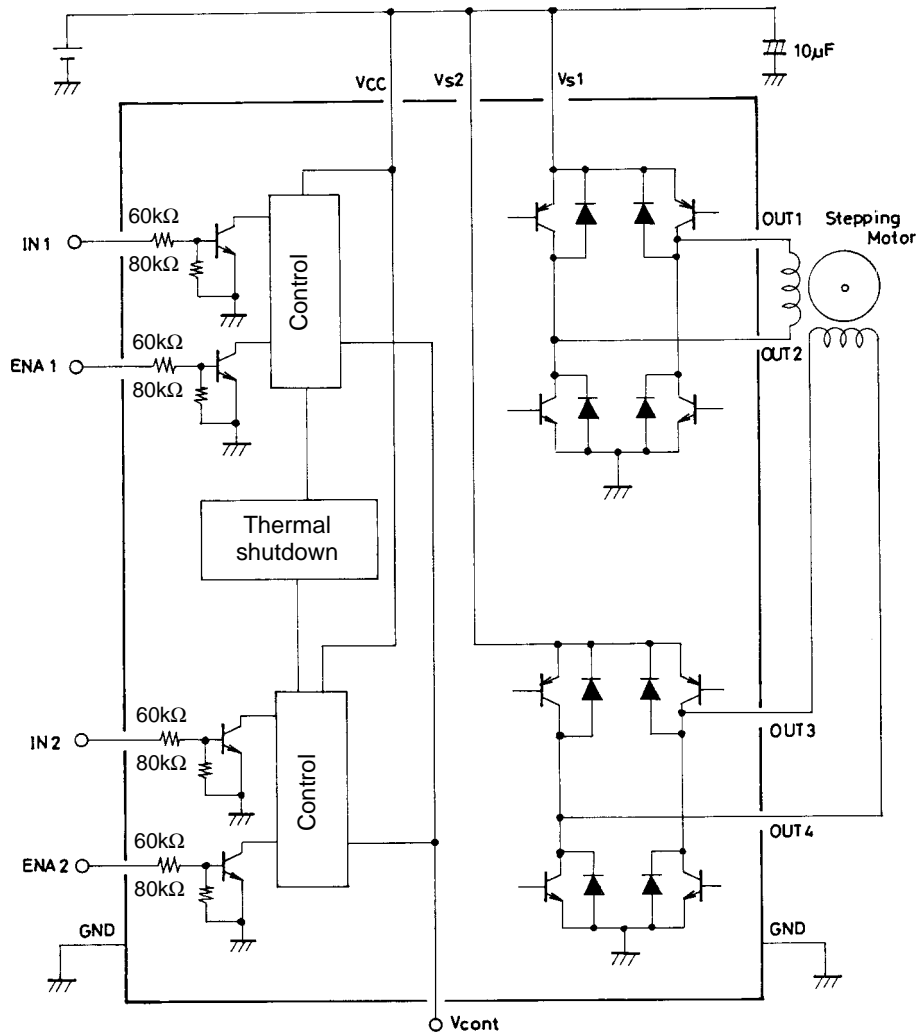


Note: Both GND pins should be connected to ground.

Truth Table

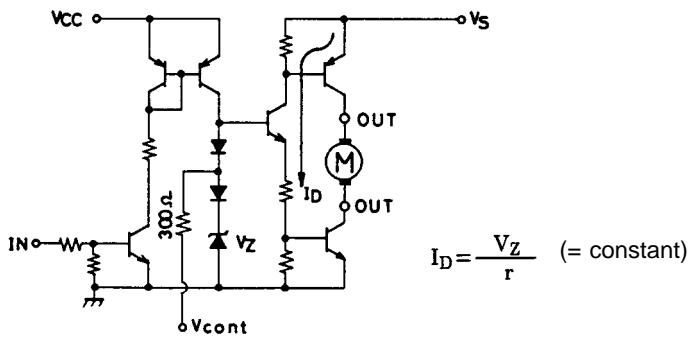
IN 1, 2	ENA 1, 2	OUT 1, 3	OUT 2, 4	Mode
L	H	H	L	Forward
H	H	L	H	Reverse
L	L	OFF	OFF	Standby
H	L	OFF	OFF	Standby

Block Diagram



Note: As long as the voltages applied to V_{CC} , V_{S1} , V_{S2} , $ENA1$, $ENA2$, $IN1$, and $IN2$ are within the limits set by the absolute maximum ratings, there are no restrictions on the relationship of each voltage level in comparison with the others (regarding which is higher or lower). (ex. $V_{CC} = 3\text{ V}$, $V_{S1, 2} = 2\text{ V}$, $ENA = IN = 5\text{ V}$)

Vcont pin

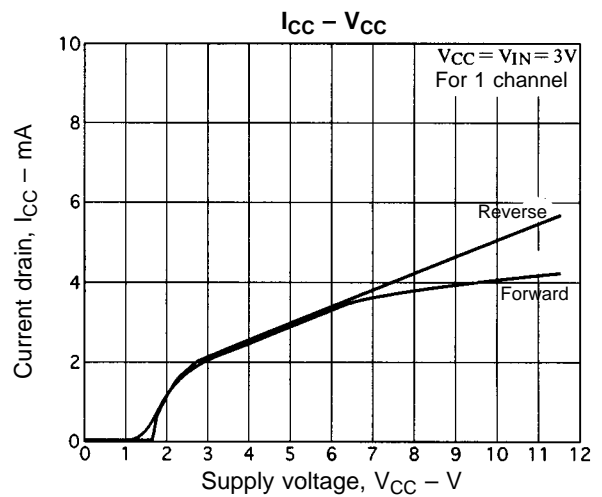
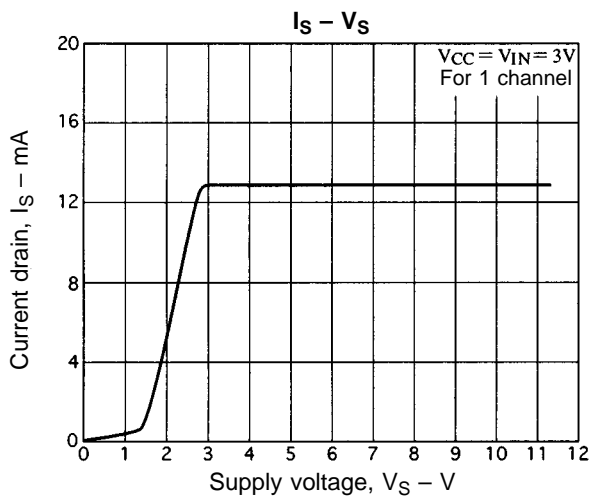
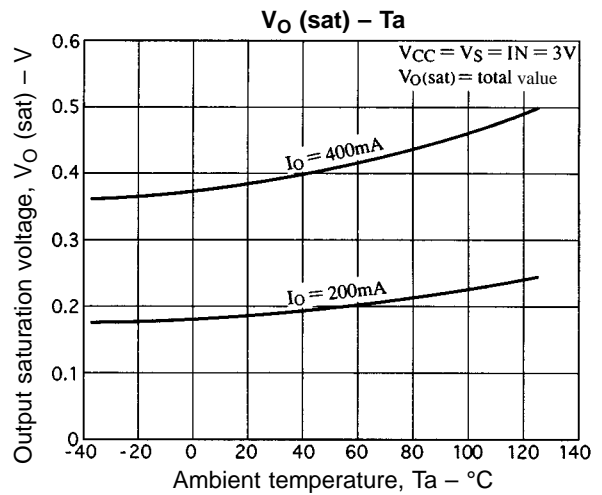
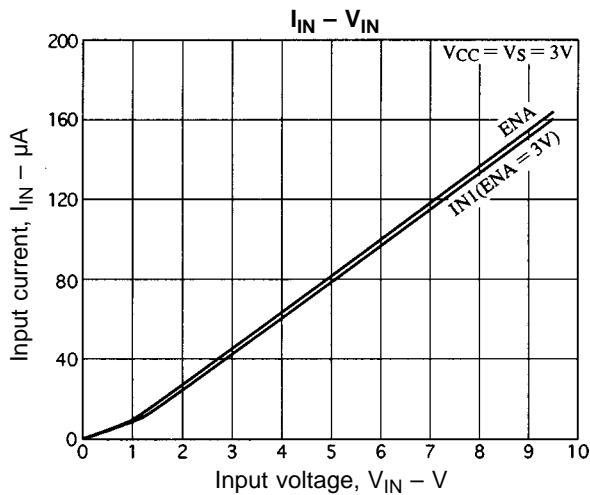
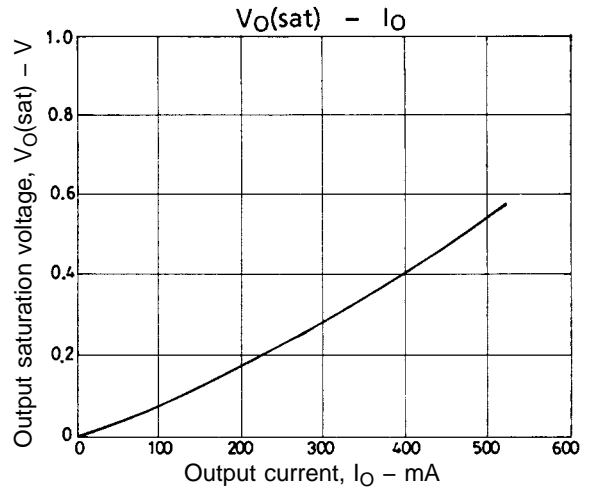
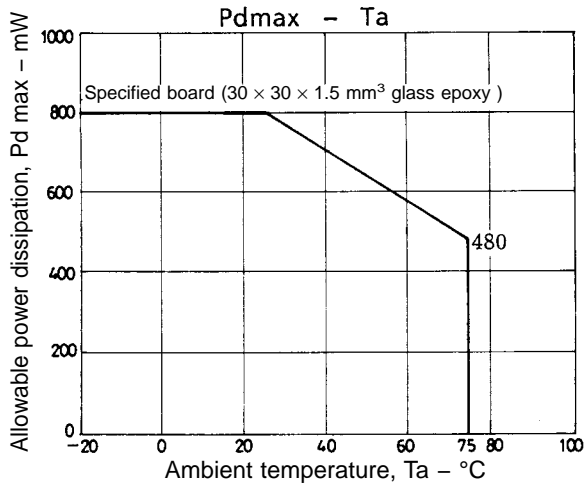


As shown in the above diagram, the V_{cont} pin outputs the voltage of the band gap Zener $V_Z + V_F (= 1.93\text{ V})$.

In normal use, this pin is left open.

The drive current I_D is varied by the V_{cont} voltage. However, because the band gap Zener is shared, it functions as a bridge.

LB1838M



- No products described or contained herein are intended for use in surgical implants, life-support systems, aerospace equipment, nuclear power control systems, vehicles, disaster/crime-prevention equipment and the like, the failure of which may directly or indirectly cause injury, death or property loss.
- Anyone purchasing any products described or contained herein for an above-mentioned use shall:
 - ① Accept full responsibility and indemnify and defend SANYO ELECTRIC CO., LTD., its affiliates, subsidiaries and distributors and all their officers and employees, jointly and severally, against any and all claims and litigation and all damages, cost and expenses associated with such use:
 - ② Not impose any responsibility for any fault or negligence which may be cited in any such claim or litigation on SANYO ELECTRIC CO., LTD., its affiliates, subsidiaries and distributors or any of their officers and employees jointly or severally.
- Information (including circuit diagrams and circuit parameters) herein is for example only; it is not guaranteed for volume production. SANYO believes information herein is accurate and reliable, but no guarantees are made or implied regarding its use or any infringements of intellectual property rights or other rights of third parties.

This catalog provides information as of February, 1997. Specifications and information herein are subject to change without notice.